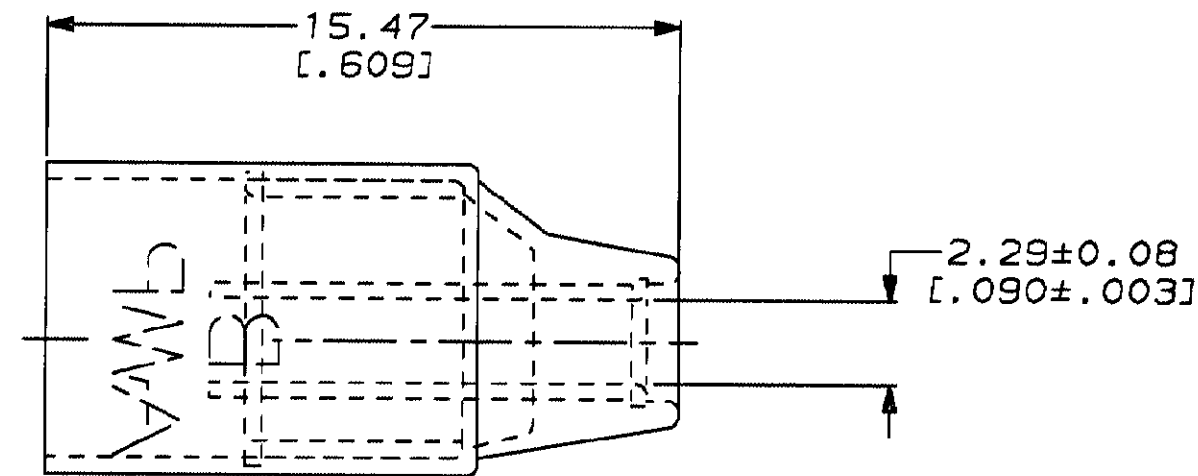
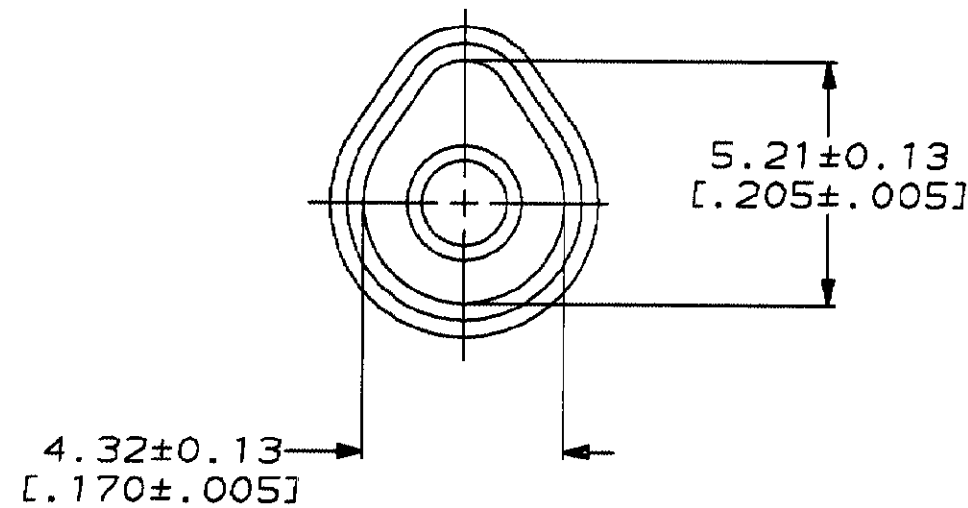


THIS DRAWING IS UNPUBLISHED. RELEASED FOR PUBLICATION, 19 .
 © COPYRIGHT 19 BY AMP INCORPORATED. ALL INTERNATIONAL RIGHTS RESERVED.

LOC	DIST	P	F	REVISIONS				
				ZONE	LTR	DESCRIPTION	DATE	APPD
AJ	16				K	REDWN & REV PER AJ-6056	01/13/93	JPD
		✓	✓		L	REV PER 0220-0149-93	20/DEC/93	BMW

- 1 MATERIALS:
 INNER FERRULE: BRASS PER MIL-C-50
 OUTER FERRULE: COPPER PER QQ-C-576
 MOLDING: NYLON (COLOR: NATURAL)
- 2 FINISH:
 INNER FERRULE: TIN PL PER MIL-T-10727
 OUTER FERRULE: TIN PL PER MIL-T-10727
- 3. 1.50-2.16 [.059-.085] PRIMARY INSULATION DIA RANGE



THIS DRAWING IS A CONTROLLED DOCUMENT FOR AMP INCORPORATED. IT IS SUBJECT TO CHANGE AND THE CONTROLLING ENGINEERING ORGANIZATION SHOULD BE CONTACTED FOR THE LATEST REVISION.

DD NOT SCALE PRINT. UNLESS SPECIFIED DIMENSIONS IN mm (INCHES) TOLERANCES ON: 2 PLC DEC * .20 (.008) 3 PLC DEC * - ANGLES * -		DR 01/13/93 J. DAVIS CHK 02/05/93 G. MICHAEL APPD 02/05/93 G. MICHAEL APPD 02/05/93 J. DAVIS PRODUCT SPEC - APPLICATION SPEC - WEIGHT .026 OZ		PART NO AMP Incorporated Harrisburg, PA 17105-3608 NAME CONN, COAX, R.F., TERMASHIELD, FERRULE SIZE B CAGE CODE 00779 DRAWING NO C-329332 SCALE NTS SHEET 1 OF 1	
MATERIAL 1		FINISH 2			